



Specifications & Features

Model # FW5004-2

Food Warmer

This attractive newly styled and designed food warmer is the perfect merchandiser for any foodservice operator who needs to showcase their food. For great tasting food, the thermostat with motor will allow you the ability to control the temperature inside the display keeping your tasty food hot as well as moist using humidity if needed. Supplied with 3 adjustable chrome plated shelves to merchandise your food, tempered glass on all four sides, featuring a front curved front display for added eye appeal, will highlight your delicious food thus leading to increased sales and profits and more importantly, happy customers.



FEATURES:

- Adjustable Thermostat
- 1200w Element
- Two piece rear tempered glass doors for easy access to the food zone
- 3 adjustable chrome plated shelves
- Stainless steel construction
- High visibility from 3 sides
- Attractive graphics for Point of Sale merchandising
- Limited manufacturers warranty

Note: Dimensions and Specification are subject to change without notice.



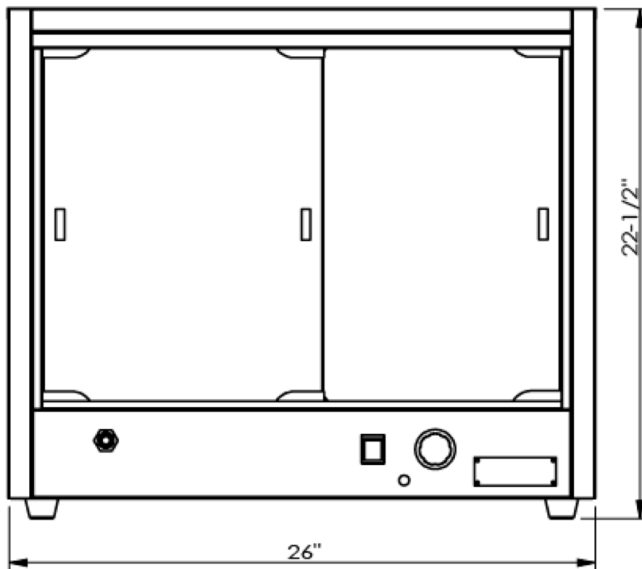


Dimensions & Specifications

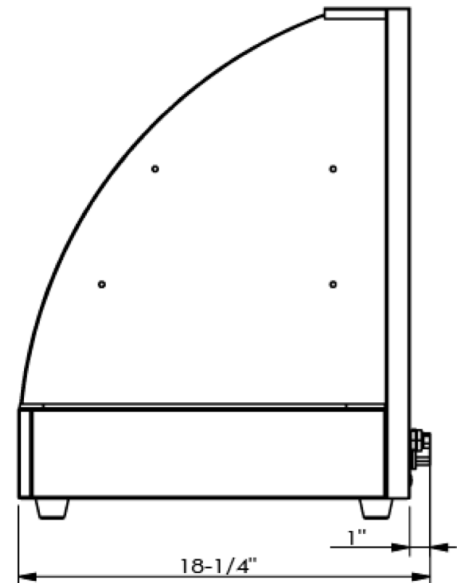
Model # FW5004-2

Food Warmer

Front View



Side View



Electrical:	120 Volt, 60 HZ 1200 Watts or 220 Volt, 50 HZ
Dimensions:	26 " W x 18 ¹ / ₄ " D x 22 ¹ / ₂ " H
Net Weight:	57 pounds
Gross (Shipping) Weight:	64 pounds
Package:	31" W x 21 " D x 26" H

Note: Dimensions and specifications are subject to change without notice.