



Specifications & Features

Model # ST5005E Series

Steam Table

COZOC's 8" deep open well steam table features individual bays, perfect for maintaining hot soups, stews, chili's, vegetables, and much more! Designed with adjustable the unit height, each unit is constructed of stainless steel with four stainless steel legs and stainless steel under shelf.

Individually controlled 500W tubular heating elements in each bay ensure proper holding temperatures. The table also includes a 1/2" thick polyethylene cutting board for workspace



FEATURES:

- Stainless Steel Construction
- Easy to clean
- Adjustable stainless steel legs
- 8" deep open well design fits full size spillage pans
- Individually controlled 500W tubular heating elements
- Thermostatic heat controls and indicator lights
- 1/2" thick polyethylene cutting board
- Limited manufacturers warranty
- Note: Dimensions and Specification are subject to change without notice.



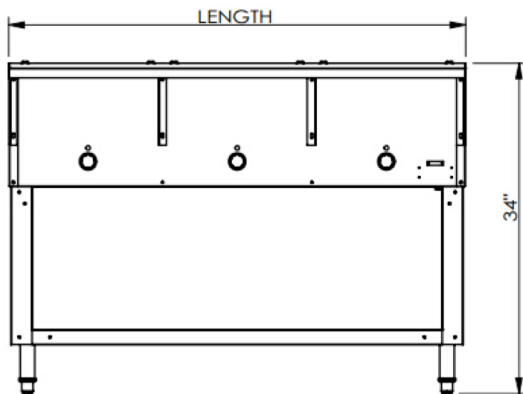


Dimensions & Specifications

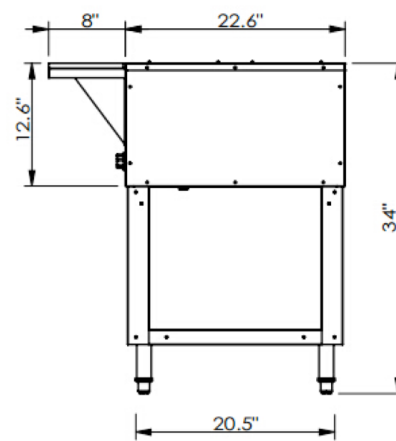
Model # ST5005E

Steam Table

Front View



Side View



Part #	Description	Electrical data(500W Per Bay)	Amps (A)	Length (in)	Weight (lb)
ST5005E-4	4 Bay	120V/2000W	16.6	62.4"	209
ST5005E-5	5 Bay	120V/2500W	20.8	77.8"	253

Electrical: 120 Volt, 60 HZ or

220 Volt, 50 HZ

Dimensions: See chart above

Net Weight: See chart above

Gross Shipping Weight: TBD

Note: Dimensions and specifications are subject to change without notice.