



NEW Under Counter Heater / Proofer Featuring an Adjustable & Universal Rack System

Specifications & Features

Model # HPC 7008-UCC9S1

Heater / Proofer - Under Counter

This 31" tall, energy efficient, space savings, ADA compliant cabinet is ideal when space is a concern. Featuring an Adjustable Rack System, the cabinet provides the ability to proof a variety of baked goods and allow them to rise before baking. Built-in all digital temperature controls with easy set up enables you to choose a variety of temperatures including warming. Designed with enduring quality that protects your long term investment



Shown in Full Size, the 7008UC can hold the same size pans!

FEATURES:

- Designed for proofing and heating
- All digital display and controls
- Provides cabinet holding temperature up to 185 F
- Water pan in base provides moisture for proofing
- Humidity up to 95%(under 90F),
- Adjustable & Universal Rack System
- Total pan capacity is 9 pieces (18" x26") 1-1/2" Increments
- Clear polycarbonate door provides easy visibility
- Contains two safety-lock casters and two without for easy mobility
- Construction: Aluminum cabinet
- Limited manufacturers warranty

Note: Dimensions and Specification are subject to change without notice.





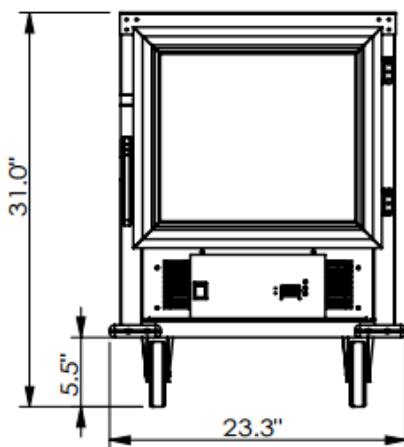
NEW Under Counter Heater / Proofer **Featuring an Adjustable & Universal Rack System**

Dimensions & Specifications

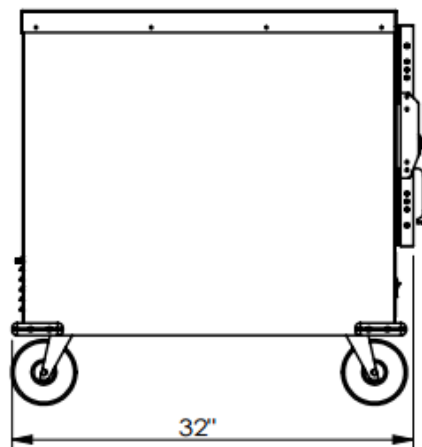
Model # HPC 7008-UCC9S1

Heater / Proofer - Under Counter

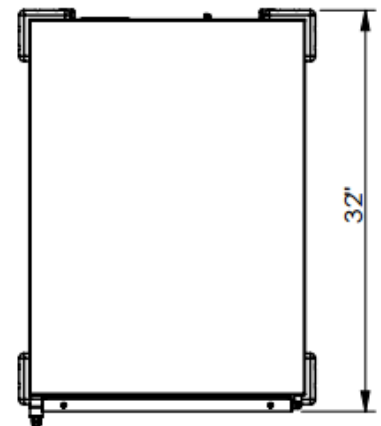
Front View



Side View



Top View



Electrical:	120 Volt, 60 HZ (1500 Watts) or 220 Volt, 50 HZ
Total Pan Capacity:	9 pieces (18" x 26") 1 ½ " increments
Net Weight:	65 pounds
Gross Shipping Weight:	75 pounds
Dimensions:	23.3" W x 32" D x 31" H
Package:	24" W x 33" D x 32" H

Note: Dimensions and specifications are subject to change without notice.