



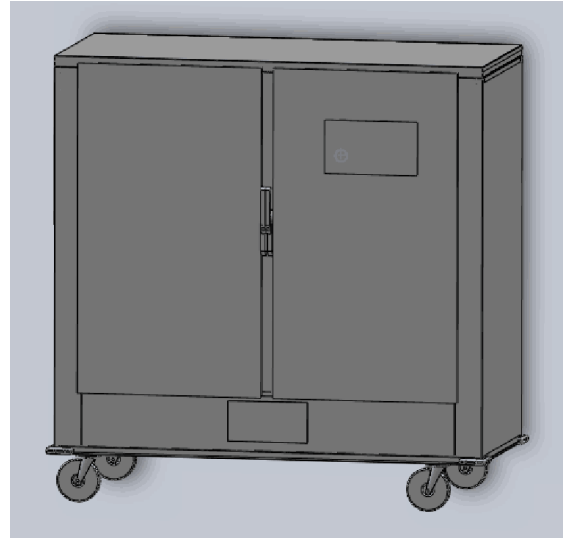
Specifications & Features

Model # HPC7101BQ-150D

Heated Banquet Cabinet

Two Doors Version

Cozoc Group's New Heated Banquet Cabinet, allows you hold your meals at the perfect temperature until you are ready serve them. With easy access to content, the cabinet is designed to hold 11-3/4" and up to 12-3/4" diameter covered plates. The Rack System can hold full-size sheet pans from front to back or in optional Mini Rack Slide System. Built-in all digital temperature controls with easy set up enables you to choose a variety of temperatures including warming. Designed with enduring quality that protects your long term investment



FEATURES:

- **Construction:** Welded, reinforced, stainless steel
- **Shelves:** nickel-chrome plated, removable wire shelves
- **Gaskets:** High-temperature, cabinet-mounted
- **Size and Capacity:** Two-door model accommodates 11-3/4" (up to 12-3/4") covered plates (diameter of cover) and full size sheet pans, front-to-back on shelves
- All digital display and controls
- Adjustable thermostat allows a variety of warming temperatures
- Insulated, welded, double-panel stainless steel doors
- Contains two safety-lock casters and two without for easy mobility
- Construction: stainless steel
- Limited manufacturer's warranty

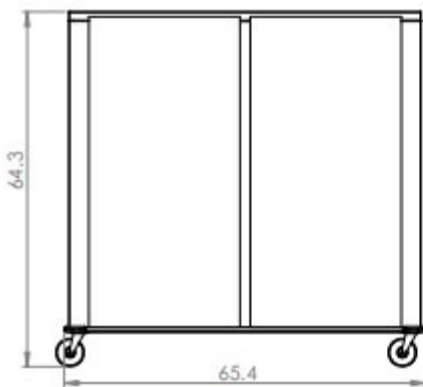
Note: Dimensions and Specification are subject to change without notice.





Dimensions & Specifications
Model # HPC7101BQ-150D
Heated Banquet Cabinet
Two - Doors Version

Front View



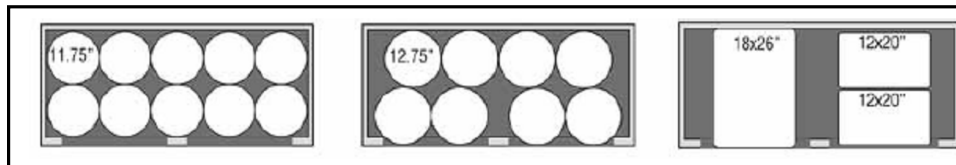
Side View



Top View



Plate and Tray Holding Diagram



Electrical:	120 Volt, 60 HZ (1500 Watts)
11-3/4" Plate Capacity:	Stacked 150
12-3/4" Plate Capacity:	Stacked 120
Shelf Size:	59" x 24" 3pcs
Net Weight:	300 pounds
Gross Shipping Weight:	350 pounds
Dimensions:	65.4" W x 33" D x 64.3" H
Package:	67" W x 35" D x 65" H

Note: Dimensions and specifications are subject to change without notice.