



Specifications & Features

Model # HPC 7101-HFC9F8

Half Size - Insulated Heater / Proofer

This half sized insulated cabinet can hold up to 17 18" x 26" full size pans as well as a variety of others. The cabinet has the ability to proof a variety of baked goods and allow them to rise before baking. Built-in all digital temperature controls with easy set up enables you to choose a variety of temperatures including warming. Designed with enduring quality that protects your long term investment



FEATURES:

- Designed for proofing and heating
- All digital display and control
- Adjustable thermostat allows a variety of warming temperatures
- Provides cabinet holding temperature up to 185 F
- Water pan in base provides moisture for proofing
- Humidity up to 95% (under 90F)
- Total pan capacity is 17 pieces (18" x26")
- Clear polycarbonate door provides easy visibility
- Contains two safety-lock casters and two without for easy mobility
- Construction: Aluminum cabinet
- Limited manufacturers warranty

Note: Dimensions and Specification are subject to change without notice.



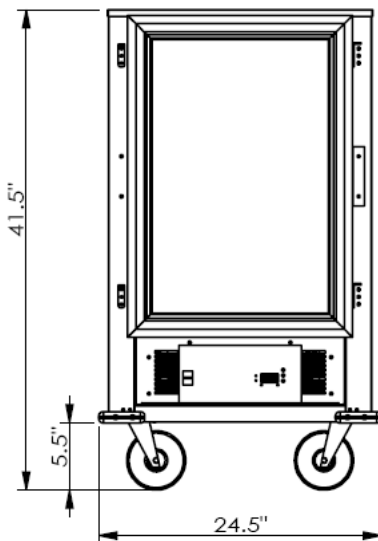


Dimensions & Specifications

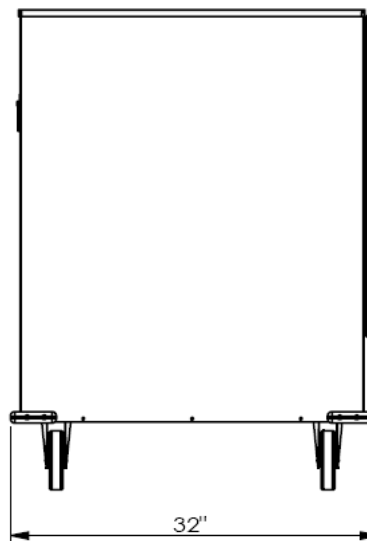
Model # HPC7101-HFC9F8

Half Size - Insulated Heater / Proofer Cabinet

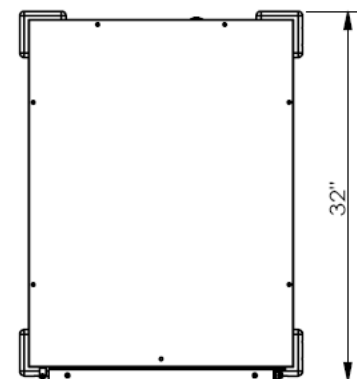
Front View



Side View



Top View



Electrical: 120 Volt, 60 HZ (1500 Watts) or
220 Volt, 50 HZ

Total Pan Capacity: 17 pieces (18" x 26")

Net Weight: 161 pounds

Gross Shipping Weight: 183 pounds

Dimensions: 24 1/2" W x 32" D x 41.5" H

Package: 25.2" W x 33 1/2" D x 42"H

Note: Dimensions and specifications are subject to change without notice.