



Specification

HPC7008-C9S1 Non-Insulated Heater Proofer

- ◆ Designed for proofing and heating.
- ◆ All digital display and controls.
- ◆ Machined Zinc Alloy handle
- ◆ Adjustable thermostat for a variety of warming temperatures.
- ◆ Holding temperature up to 185 F.
- ◆ Water pan provides moisture for proofing
- ◆ Humidity up to 95%(under 90F)
- ◆ Adjustable rack system sixteen shelf/story position can add up to max thirty-two shelf/story.
- ◆ Clear polycarbonate door for easy viewing.
- ◆ High quality 5" casters, two with safety-lock
- ◆ Aluminum cabinet.



Note: Dimensions and Specification are subject to change without notice.

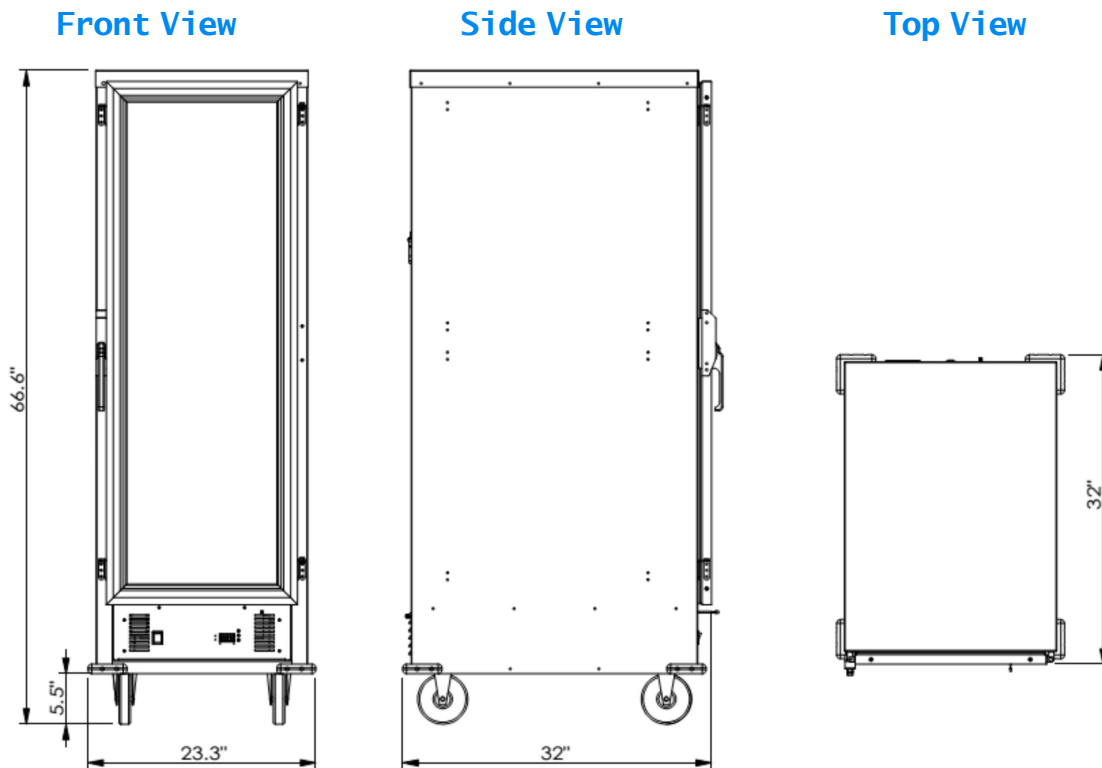


Intertek
CONFORMS TO NSF/ANSI 4

This full-size cabinet, offers an Adjustable Rack System, allows you the option to adjust the racks to fit your specific needs. It can hold a wide assortment of pan sizes including up to a 18" pizza box. Offering the ability to proof a variety of baked goods, allowing dough to rise before baking. All digital temperature controls with easy set up. Enables a variety of temperatures, including warming. Designed with enduring quality in mind.

Dimensions and Specifications

HPC7008-C9S1



Pan capacity

Adjustable Rack system
Total 16pcs pan Capacity
18"x26", 20"x12", 13"x18" or 14"x18.
will take up to 18" pizza box.
Hotel s team pans as well.

Options Additional slides available for purchase.

Electrical 120 volts

Power 1500 watts

Net weight 124 lbs.

Gross shipping weight 152 lbs.

Class 100

Dimensions 23.3"W X 32" DX 66.6" H

Package 24" W X 33" D X 67" H

Warranty 1Year Manufactures limited Warranty