

Specification

HPC7008HF-C9F8

Non-Insulated Heater Proofer



- ◆ Designed for proofing and heating.
- ◆ All digital display and controls.
- ◆ Machined Zinc Alloy handle
- ◆ Adjustable thermostat for a variety of warming temperatures.
- ◆ Holding temperature up to 185 F.
- ◆ Water pan provides moisture for proofing
- ◆ Humidity up to 95%(under 90F)
- ◆ Total pan capacity is Sixteen story,full size pan (18"x 26")
- ◆ Clear polycarbonate door for easy viewing.
- ◆ High quality 5" casters,two with safety-lock
- ◆ Aluminum cabinet.



Note: Dimensions and Specification are subject to change without notice.



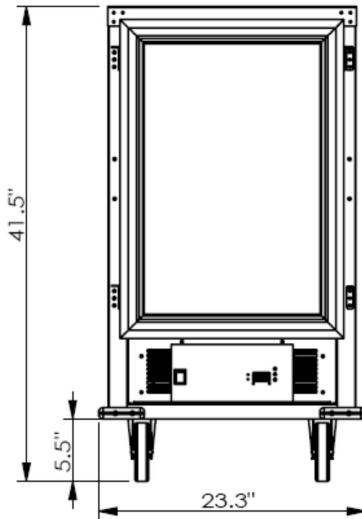
Intertek
CONFORMS TO NSF/ANSI 4

This Half-size Heater Proofer cabinet can hold up to Sixteen, 18" x 26" full size pans, as well as a variety of others. Offering the ability to proof a variety of baked goods, allowing dough to rise before baking. All digital temperature controls with Easy set up. Enables a variety of temperatures, including warming. Designed with enduring quality in mind.

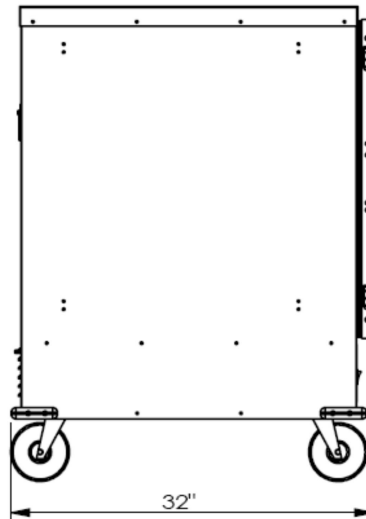
Dimensions and Specifications

HPC7008HF-C9F8

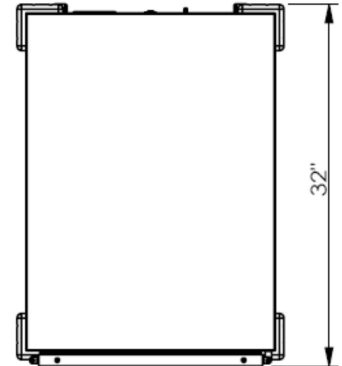
Front View



Side View



Top View



Pan capacity	16shelves/stories, 18"x26" sheets
Electrical	120 volts
Power	1500 watts
Net weight	90 lbs.
Gross shipping weight	117 lbs.
Class	100
Dimensions	23.3"W X 32" DX 41 .5" H
Package	24"W X 33" D X 42" H
Warranty	1Year Manufactures limited Warranty