



Specification

HPC7013 Insulated Cook and Hold Oven

- ◆ Designed for cooking and holding.
- ◆ Digital Electronic controls,select a variety Of cooking temperatures & time.
- ◆ Digital Timer to notify user when process is complete.
- ◆ Cooks by time and automatically converts From cook mode to hold mode.
- ◆ Control features indicator lights for the cook cycle and hold function.
- ◆ Side racks with fifteen pan positions spaced on 1-1/2"(38mm) centers, per compartment.
- ◆ Solid doors with magnetic door latch,Zinc Alloy machined handle.
- ◆ Heavy duty 5"casters,two swivel with brakes, two rigid.provides mobility when fully loaded .
- ◆ Maximum temperature is 325F.
- ◆ Made of stainless steel.



Note:Dimensions and specification are subject to change without notice.



Intertek
CONFORMS TO NSF/ANSI 4

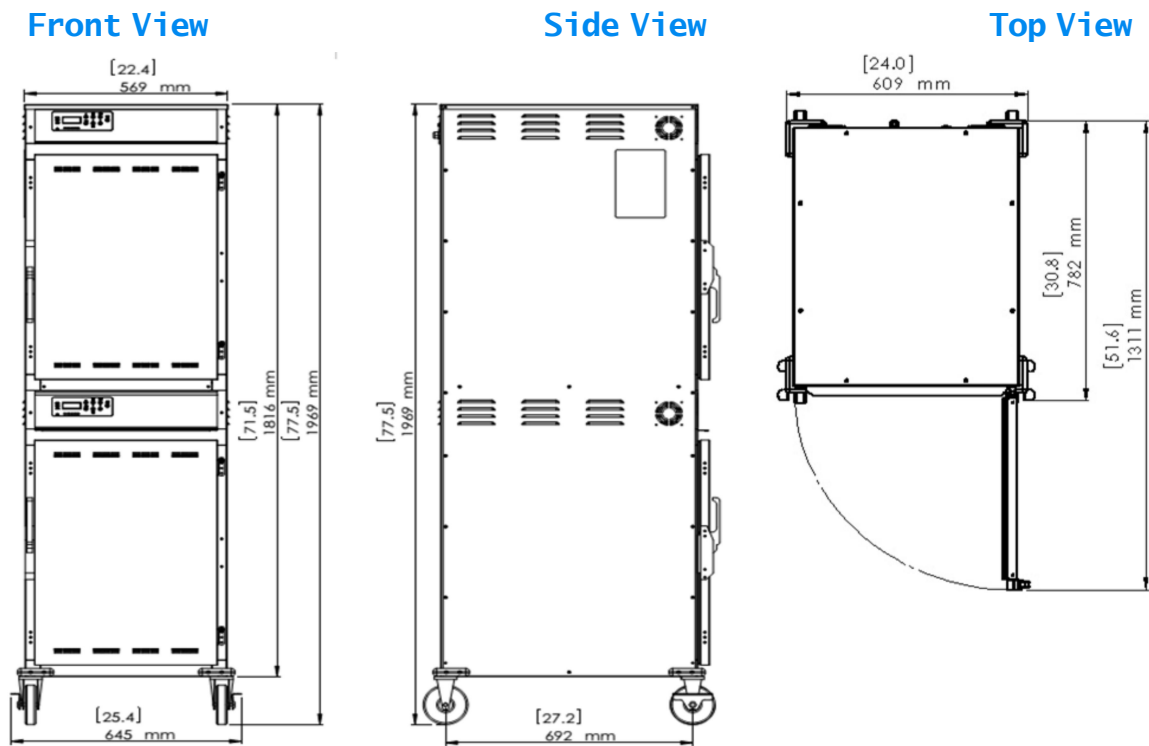
This Energy Efficient Full size oven has two individual, dual controlled, featuring a uniform heat source that maintains close temperature tolerances throughout the cooking and Holding function. As a result, consistent cooking offers low shrinkage of bulk or portion -cut protein items, higher food moisture content and significantly longer holding life.

Max temperature 325 degrees °F.



Specifications and Dimensions

HPC7013 Cook and Hold Oven



pan capacity	18"x26"X 1" 15pcs
per compartment	20"x 12"x2- 1/2"8pcs 20"x 12"x4"4pcs 20"x 12"x6"4pcs
Electrical	208 volts,28.8Amps, 60HZ
power	6400 watts
Cord	Included. Need plug end, installed by qualified electrician.
Net weight	349 lbs (159kg)
Gross shipping weight	378 lbs (172kg).
class	100
Dimensions	25.4"W X 30.8 " D X 77.5" H
package	26"W X 33" D X 78" H
warranty	1 Year Manufactures limited Warranty