

Specification

HPC7013HFSK

Insulated Cook and Hold Smoker Oven



- ◆ Designed for cooking, holding and smoking a variety of meats.
- ◆ Digital Electronic controls,select a variety Of cooking temperatures, smoking and holding times.
- ◆ Digital Timer to notify user when process is complete.
- ◆ Cooks by time and automatically converts From cook mode to hold mode.
- ◆ Control features indicator lights for the cook cycle and hold function.
- ◆ Side racks with fifteen(15) pan positions spaced on 1 1/2"(38mm)centers, (per compartment).
- ◆ Solid door with magnetic door latch,Zinc Alloy machined handle.
- ◆ Heavy duty 5"casters,two swivel with brakes, two rigid.provides mobility when fully loaded .
- ◆ Maximum temperature 325F.
- ◆ Made of stainless steel.



Note:Dimensions and specification are subject to



Intertek
CONFORMS TO NSF/ANSI 4

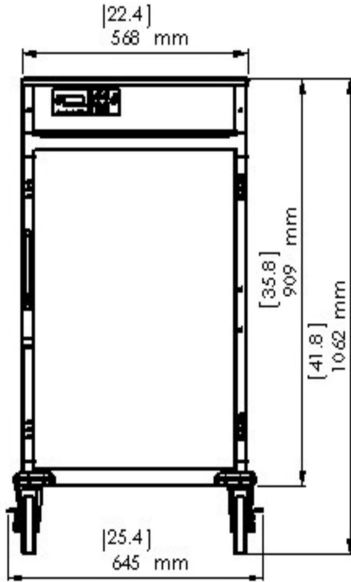
This Energy Efficient half size oven has a controlled, uniform heat source that maintains close temperature tolerances throughout the cooking and holding function. As a result, consistent cooking offers low shrinkage of bulk or portion-cut protein items, higher food moisture content, and significantly longer holding life. Max temperature 325°F.

Specifications and Dimensions

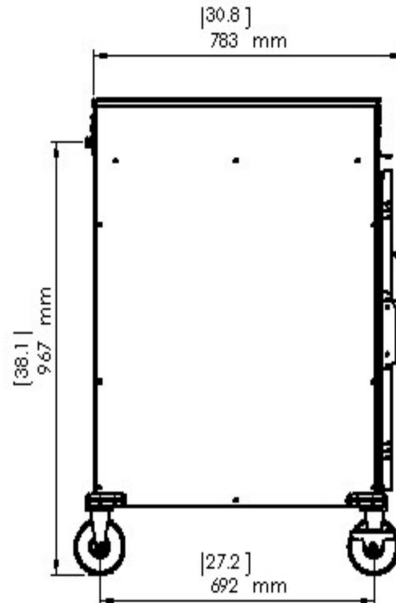
HPC7013HFSK



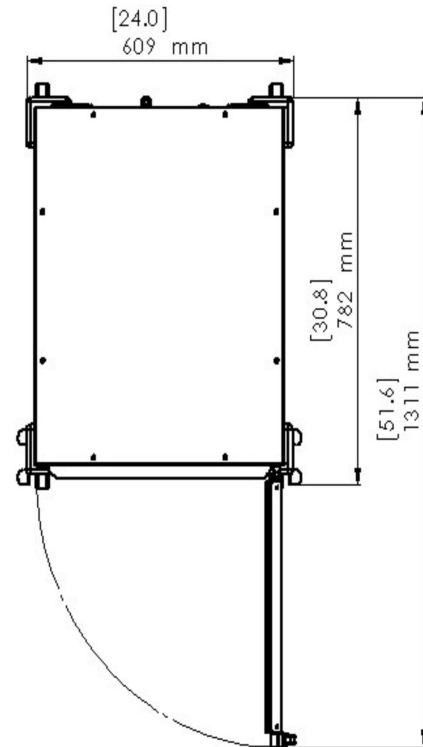
Front View



Side View



Top View



Pan capacity	18"x26"X 1" 15 pcs 20"x 12"x2- 1/2"8pcs 20"x12"x4"4pcs 20"x 12"x6"4pcs
Electrical	208 volts, 15.9Amps, 60HZ
Power	3370 watts
Cord	Included. Need plug end, installed by qualified electrician.
Net weight	190 lbs(86kg)
Gross shipping weight	217 lbs(99kg).
Class	100
Dimensions	25.4"W X 31 " D X 41 .8" H
Package	26"WX33"DX42"H
Warranty	1 Year manufactures limited Warranty