



## Specification

### HPC7101-C9S1 Insulated Heater Proofer

- ◆ Designed for proofing and heating.
- ◆ All digital display and controls.
- ◆ Machined Zinc Alloy handle
- ◆ Adjustable thermostat for a variety of warming temperatures.
- ◆ Holding temperature up to 185 F.
- ◆ Water pan provides moisture for proofing
- ◆ Humidity up to 95%(under 90F)
- ◆ Adjustable rack system sixteen storey.  
can add up to max thirty-two storey.
- ◆ Clear polycarbonate door for viewing.
- ◆ High quality 5" casters, two with safety-lock
- ◆ Aluminum cabinet.



**Intertek**  
CONFORMS TO NSF/ANSI 4

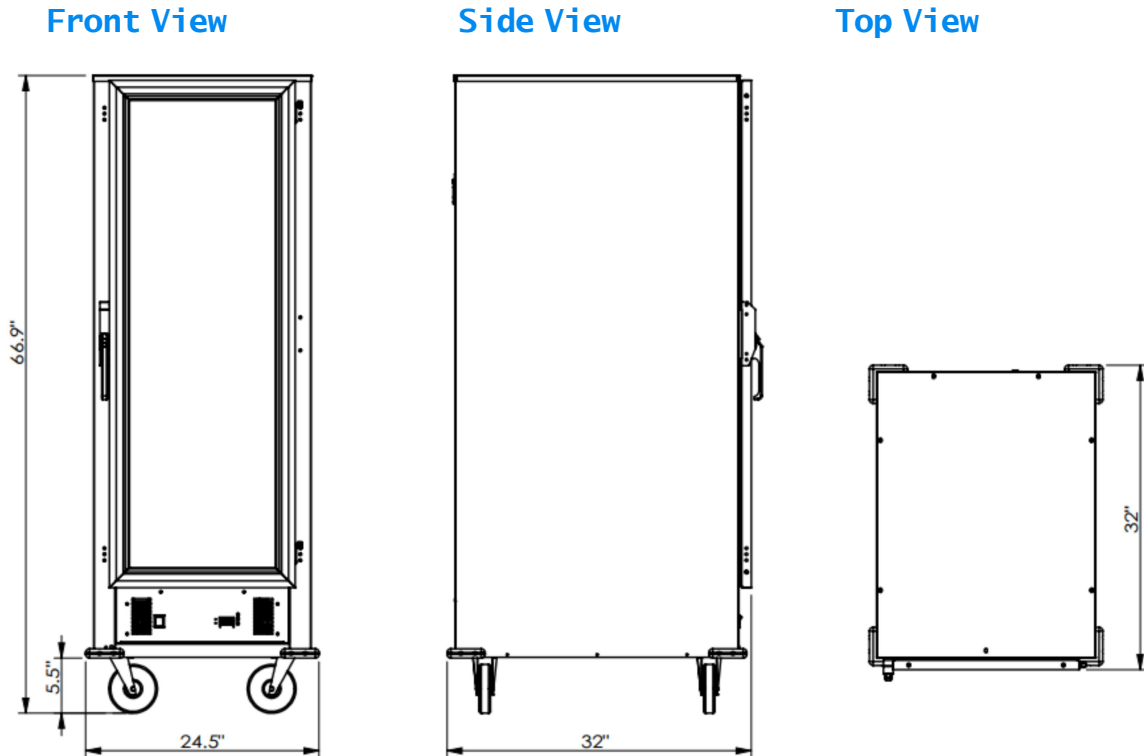
Note: Dimensions and Specification are subject to change without notice.

This full-size cabinet, offers an Adjustable Rack System, allows you the option to adjust the racks to fit your specific needs. It can hold a wide assortment of pan sizes including up to a 18" pizza box. Offering the ability to proof a variety of baked goods, allowing dough to rise before baking. All digital temperature controls with easy set up. Enables a variety of temperatures, including warming. Designed with enduring quality in mind.



# Dimensions and Specifications

## HPC7101-C9S1



### Pan Capacity

### Adjustable Rack system

Total 16 story, 18"x26",20"x12", 13"x 18" or 14"x18".  
will take up to 18"pizza box.

Hotel steam pans as well.

Electrical 120 volts

Power 1500 watts

Net weight 213 lbs.

Gross shipping weight 246 lbs.

Class 100

Dimensions 24.5"W X 32" D X 66.9" H

Package 25"W X 33" D X 67" H

warranty 1Year Manufactures limited Warranty