

Specification

HPC7101-MSS1 Insulated Heater Proofer



- ◆ Designed for proofing and heating.
- ◆ All digital display and controls.
- ◆ Machined Zinc Alloy handle.
- ◆ Adjustable thermostat for a variety of warming temperatures.
- ◆ Holding temperature up to 185 °F.
- ◆ Water pan provides moisture for proofing
- ◆ Humidity up to 95%(under 90°F)
- ◆ Adjustable rack system seventeen shelf/story position can add up to max thirty two shelf/story
- ◆ solid insulated door
- ◆ High quality 5" casters,two with safety-lock
- ◆ Aluminum cabinet.



Note: Dimensions and Specification are subject to change without notice.

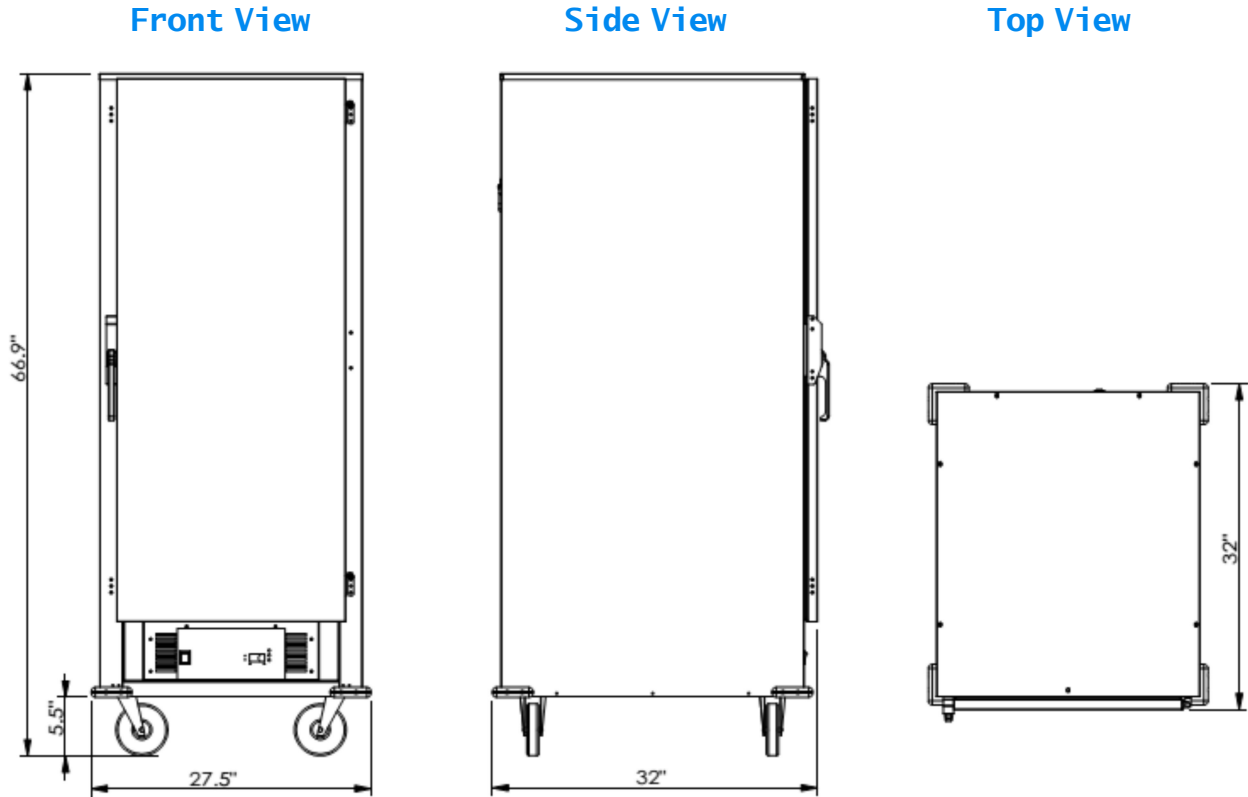


Intertek
CONFORMS TO NSF/ANSI 4

This full-size Insulated Cabinet offers an Adjustable Rack System, allows you the option to adjust the racks to fit your specific needs. offering the ability to proof a variety of baked goods, allowing dough to rise before baking. All digital temperature controls with easy set up. Enables a variety of temperatures, including warming. Designed with enduring quality in mind.

Dimensions and Specifications

HPC7101-MSS1



Pan capacity Adjustable Rack system

Total 16 pcs 21" Pizza Box

Electrical 120 volts

Power 1500 watts

Net weight 230 lbs.

Gross shipping weight 275 lbs.

Class 100

Dimensions 27.5"W X 32" D X 66.9" H

Package 28"W X 33.5" D X 68" H

Warranty 1Year Manufactures limited Warranty