

# Specification

## HPC7101-WC9DF9L

### Insulated Heater Proofer Pass through



- ◆ Designed for proofing and heating.
- ◆ All digital display and controls.
- ◆ Machined Zinc Alloy handle.
- ◆ Adjustable thermostat for a variety of warming temperatures.
- ◆ Holding temperature up to 185°F.
- ◆ Water pan provides moisture for proofing.
- ◆ Humidity up to 95%(under 90F).
- ◆ Multipurpose universal rack system, Sixteen 6" story with 3" spacing. Sixteen 24 "x 24" pans, Thirty-two 20 "x 20" or Sixteen 18 "x 26" pans. Will hold 18", 20",22" and 24" pizza boxes.
- ◆ Clear polycarbonate door for viewing.
- ◆ High quality 5" casters, two with safety-lock
- ◆ Aluminum cabinet.



Note: Dimensions and Specification are subject to change without notice.

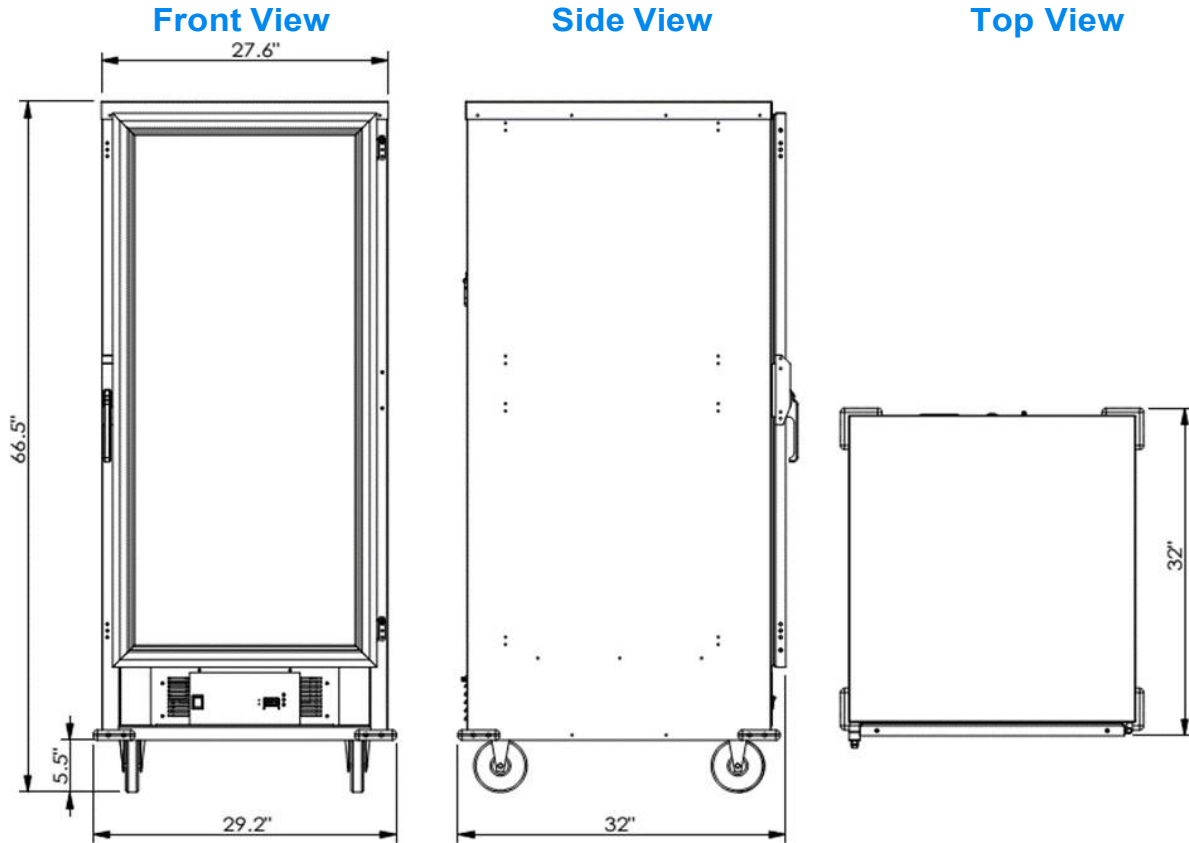


**Intertek**  
CONFORMS TO NSF/ANSI 4

This wider insulated cabinet features a 6" shelf/story revolutionary rack system, with 3" spacing. Sixteen 24"x24" pans, Thirty-two 20"x12" or Sixteen 18"x26" pans. Made for 18", 20", 22" and 24" pizza boxes. Offering the ability to proof a variety of baked goods, allowing dough to rise before baking. All digital temperature controls with easy set up. Enables a variety of temperatures, including warming. Designed with enduring quality in mind.

# Dimensions and Specifications

## HPC7101-WC9DF9L



Pan Capacity	Multipurpose Universal rack system 16 story, 6" story, 3" spacing Sixteen 24" x 24" pans Thirty two 20" x 12" or Sixteen 18" x 26" pans 18", 20", 22" and 24" pizza boxes
Electrical	120 Volts
Power	1500 Watts
Net weight	229 lbs
Gross shipping weight	264 lbs
Class	100
Dimensions	30.4" W x 34.7" D x 67" H
Package	31" W x 35" D x 67" H
Warranty	1 Year Manufactures limited Warranty