

Specification

HPC7101BQ-192 Insulated Heated Banquet



- ◆ All digital display and controls.
- ◆ Full Double banquet cabinet is welded, reinforced, stainless steel.
- ◆ Shelves are nickel-chrome plated, removable wire shelves.
- ◆ Gaskets is high-temperature tolerance, cabinet-mounted.
- ◆ High quality 5" casters, two with safety-lock.
- ◆ Shelf/story will hold full size sheet pans 18" x 26".
- ◆ Adjustable thermostat allows a variety of warming temperatures.
- ◆ Two temperature gauges, one works non-electric for monitoring transportation temperature.
- ◆ Provides cabinet holding temperature up to 200F.
- ◆ Insulated, welded, double-panel stainless steel door.



Intertek
CONFORMS TO NSF/ANSI 4

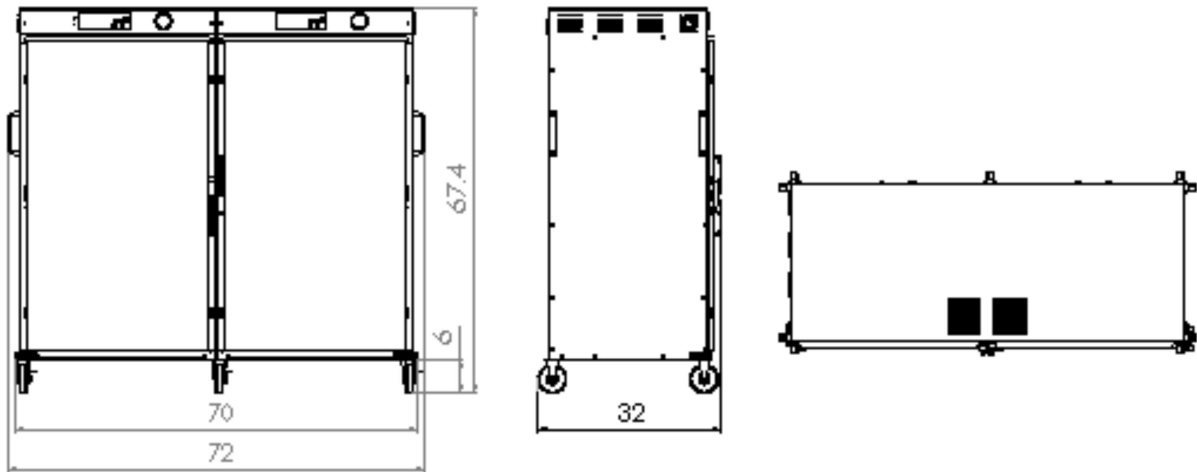
Note: Dimensions and specification are subject to change without notice.

Heated banquet cabinet, allows you hold meals at the perfect temperature until serving them. Easy access to content, cabinet is designed to hold 11-3/4" and up to 12-3/4" diameter covered plates. The Rack System can hold full-size sheet pan 18"X26" from front to back. Built-in all digital temperature controls with easy setup, a variety of temperatures including warming. Features two temperature gauges, one for electronic monitoring and one non-electrical for transportation monitoring.

Designed with enduring quality in mind.

Dimensions and Specifications

HPC7101BQ-192

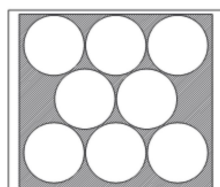


256 plate capacity 8" - 8 3/4"

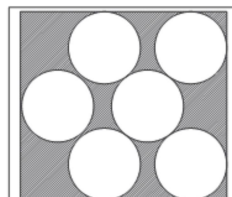
192 plate capacity 9" - 10"

128 plate capacity 10 1/4—12 3/4

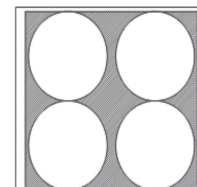
Plate configurations are per cavity, there are two cavities.



8" - 8-3/4"
128 Plates



9" - 10"
96 Plates



10-1/4" - 12-3/4"
64 Plates

Pan Capacity	8 shelves/stories, 18"x26" sheets
Electrical	120volts, 60HZ
Power	3000 watts
Net weight	704 lbs.
Gross shipping weight	792 lbs.
Class	100
Dimensions	72" W X 32" D X 67.4" H
Package	73"W X 36.75" D X 69" H
Warranty	1Year Manufactures limited Warranty